

PRODUCT INFORMATION PACKET

marathon[®]
Motors

Model No: 5KC49TN2170X

Catalog No: C339

2 HP General Purpose Pump Motor, 1 phase, 3600 RPM, 115/230 V, 56J Frame, ODP
General Purpose Pump Single Phase Motors



Regal and Marathon are trademarks of Regal Beloit Corporation or one of its affiliated companies.
©2020 Regal Beloit Corporation, All Rights Reserved. MC017097E

REGAL



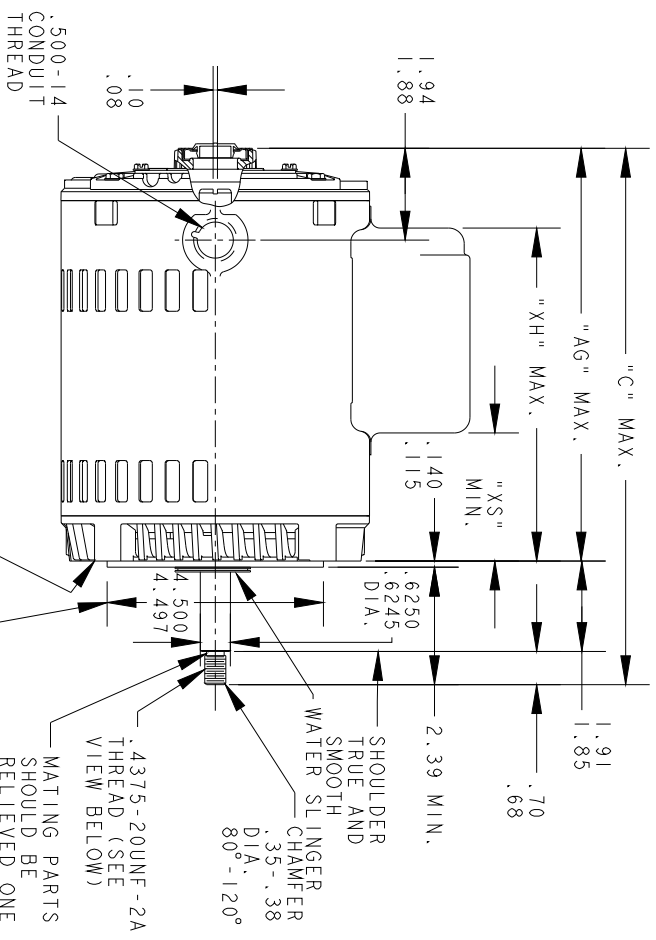
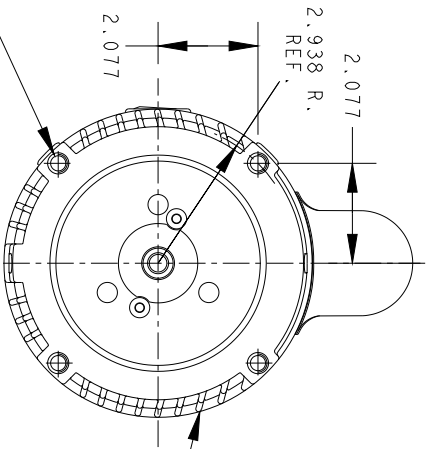
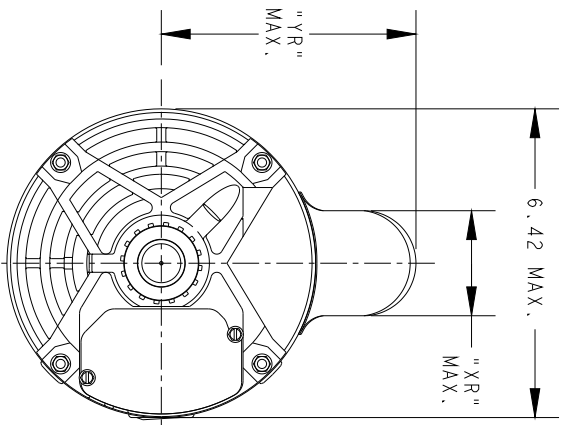
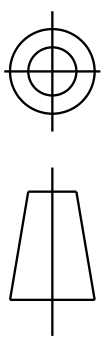
Nameplate Specifications

Output HP	2 Hp	Output KW	1.5 kW
Frequency	60 Hz	Voltage	115/230 V
Current	21.2,10.6 A	Speed	3450 rpm
Service Factor	1.2	Phase	1
Efficiency	75.4 %	Power Factor	0
Duty	Continuous	Insulation Class	B
Design Code	L	KVA Code	J
Frame	56J	Enclosure	Drip Proof
Thermal Protection	AUTO	Ambient Temperature	40 °C
Drive End Bearing Size	6203	Opp Drive End Bearing Size	6203
UL	Recognized	CSA	Yes
CE	N		

Technical Specifications

Electrical Type	Capacitor Start Induction Run	Starting Method	SM
Poles	2	Rotation	Clockwise
Mounting	Round	Motor Orientation	ANY
Drive End Bearing	LOCKED	Opp Drive End Bearing	Ball
Frame Material	Rolled Steel	Overall Length	13.73 in
Frame Length	8.99 in	Shaft Diameter	0.630 in
Shaft Extension	2.39 in		
Outline Drawing	52A109642P1	Connection Drawing	52A105384AA

This is an uncontrolled document once printed or downloaded and is subject to change without notice. Date Created:03/11/2020



FACE RUNOUT (WITH INDICATOR MOUNTED STATIONARY, RELATIVE TO SHAFT) MUST NOT EXCEED .004 T.I.R.

ECCENTRICITY OF THIS SURFACE (WITH INDICATOR MOUNTED STATIONARY, RELATIVE TO SHAFT) MUST NOT EXCEED .004 T.I.R.

VIEW OF P.E. END SHIELD.

ECCENTRICITY OF THRD. PORTION OF SHAFT IS HELD WITHIN .004 TOTAL GAGE READING WITH THE INDICATOR ON THE O.D. OF THE GROUND RING GAGE AS SHOWN. THE GAGE BEING STATIONARY WITH RESPECT TO THE ROTOR.

ALL DIMENSIONS ARE IN INCHES

P	TYPE	GE	SIZE	NEMA FR.	"C"	"AG"	"XH"	"XR"	"XS"	MIN. SHELL
1	KC	46	56J	13.73	11.10	8.92	5.44	2.40	3.17	8.99

SIGNATURES		DATE
MODEL	M.D.PAPE	06/28/94
DETAIL		
CHECKED		
ENGRG		
MFG		
QUALITY		
ISSUED	M.D.PAPE	06/28/94



REGAL-BELOTT CORPORATION

TITLE OUTLINE

JET PUMP MOTOR - DRIP PROOF - BALL BEARING R2 END MOUNTED FWF: SKC49TN2169X

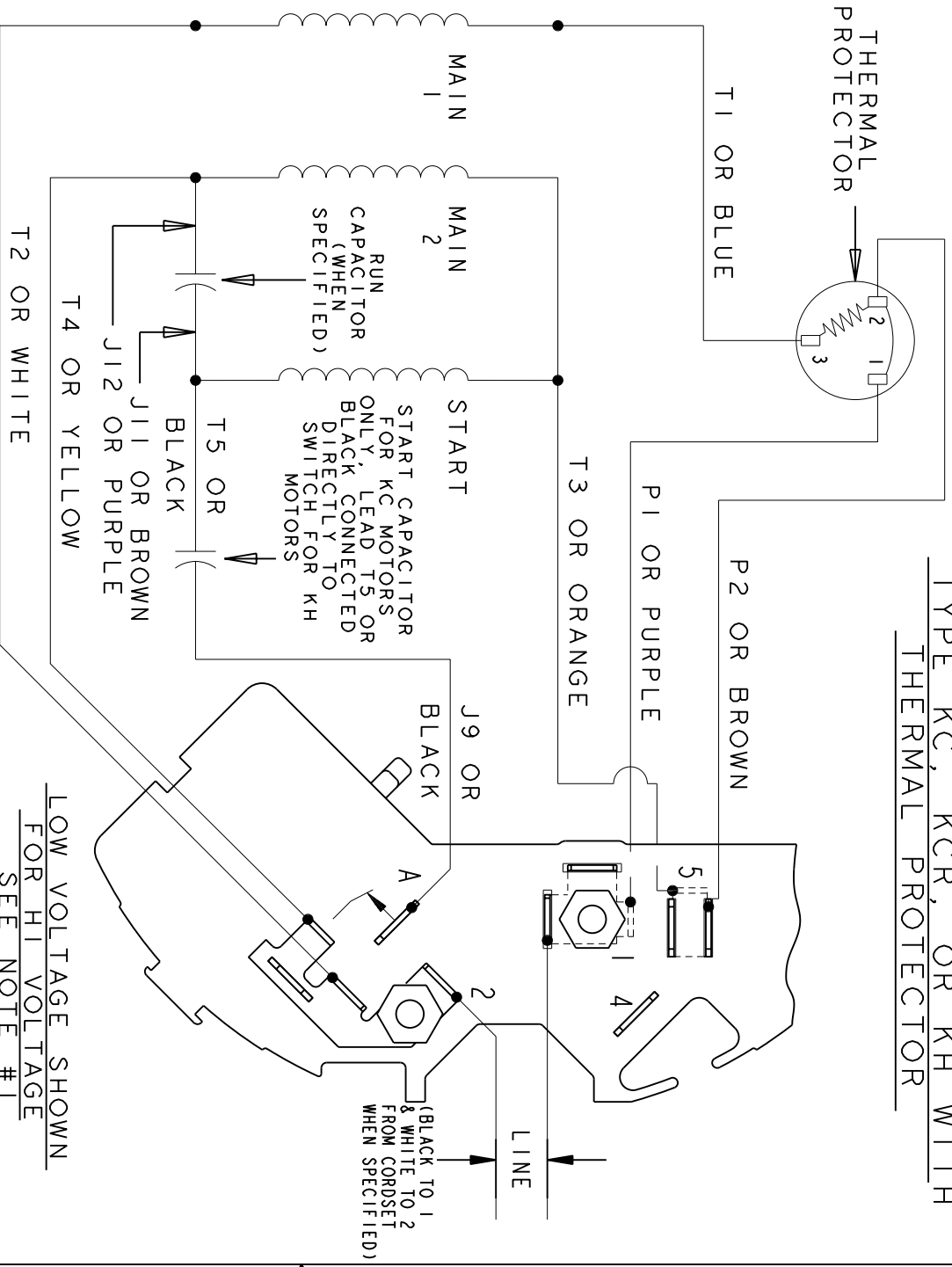
FOR ADDITIONAL INFO REFER TO:	
APPLIED PRACTICES	✓
DIMENSIONS ARE IN INCHES	✓
MATERIAL	SOLID MODEL: 52A109642

SIZE	SCALE	REF. No.	SHEET
A	0.250		1 of 1

52A109642 2

REV.	DESCRIPTION	DATE	APPROVED
4	CORDSET INSTRUCTION ADDED	04/02/09	AMITRUP

**SET ROTATION - DUAL VOLTAGE
TYPE KC, KCR, OR KH WITH
THERMAL PROTECTOR**



NOTE #1 - FOR HI VOLTAGE REMOVE BROWN (P2) FROM TERMINAL #5 AND PLACE ON TERMINAL #4, REMOVE WHITE (T2) FROM TERMINAL #2 AND PLACE ON TERMINAL #5.

NOTE #2 - WHEN MORE THAN ONE CAPACITOR IS USED CONNECT IN PARALLEL.

SWITCH (C) - 115D9558AB

CONNECTION LABEL - 52X333080

REF. DIAG. - 121A857

SIGNATURES		DATE
MODEL	M.D.P.	06/29/87
DETAIL		
CHECKED		
ENGRG		
MFG		
QUALITY		
ISSUED	M.D.P.	06/29/87
APPLIED PRACTICES		
DIMENSIONS ARE IN INCHES		
MATERIAL	SOLID MODEL: 52A105384AA	

REGAL-BELOIT CORPORATION

REGAL-BELOIT

TITLE
CONNECTION DIAGRAM

SIZE DRAWING
A

SCALE: 1.000 REF. No.:

FME: 30 FRAME SWITCH REDESIGN

52A105384AA

REV SHEET 1 of 1
4